

# 202-2 3-armed lug puller with oscillating and reversible puller legs



## DETAIL IMAGE



## DESCRIPTION

The 3-arm lug puller with oscillating and reversible puller legs is used for centric pulling off of bearings, gears and washers in all common sizes for handicraft, workshop and industry. It can be used to loosen any component that sits on a shaft and is freely accessible from the outside. The oscillating puller legs with adjustable clamping depth can be used on both sides. The claw shape differs depending on the version. The 3-arm design guarantees even load distribution and thus a particularly secure hold on the part to be extracted

## RANGE OF APPLICATION

For centric extraction of bearings, gear wheels and discs

## BENEFIT

- - Adjustable and 180° rotatable puller legs for individual adjustment of the clamping depth
- - Oscillating puller legs offer a wide range of adjustment options
- - Pulling legs with different claw shape for flexible working
- - Claw end with slot provides hold for screw for additional support when pulling off
- - 3-arm design ensures an even distribution of force and allows for greater pull-off forces
- - Safe positioning of the spindle due to rotatable spindle tip both on smooth surfaces and for centring (Switch Technology)
- - Anti-slip device on the spindle head for safe working with spanners
- - Spindle run-out to protect the thread

## OPERATION

- Apply the puller leg to the part to be removed from the outside
- Swing the claws under the part
- Pull the spindle manually to fix it
- Move the hexagon on the spindle head with a ratchet or a combination spanner until the component is loosened

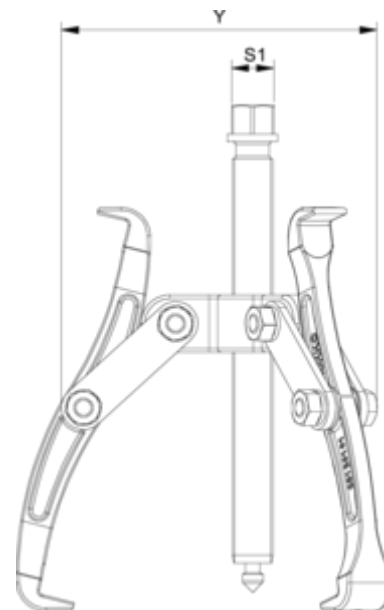
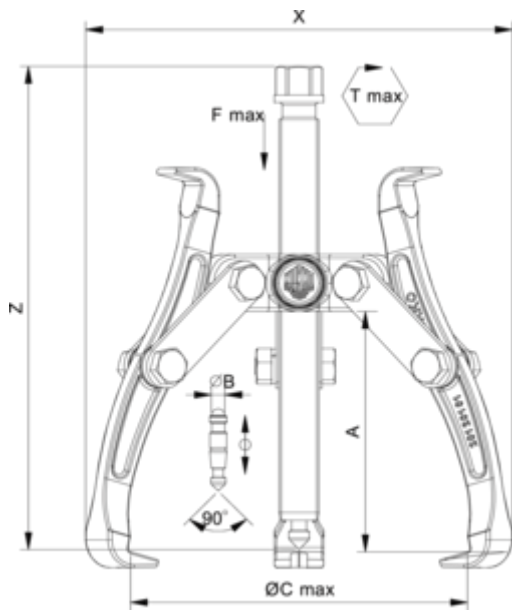
## MASTER DATA

GTIN	4021176027253
Country of origin	DE
Material	Tool steel
Series	202
Net weight [kg]	2,98 kg
Gross weight [kg]	
Package contents	1 piece
Packaging Act	PAP 21

## SPARE PARTS

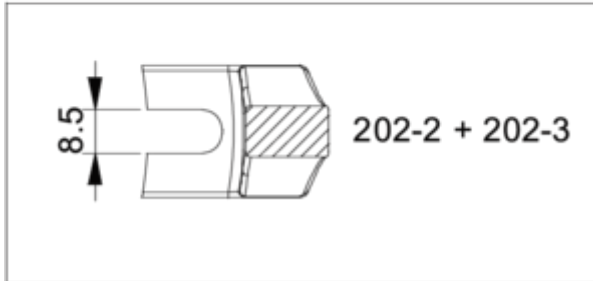
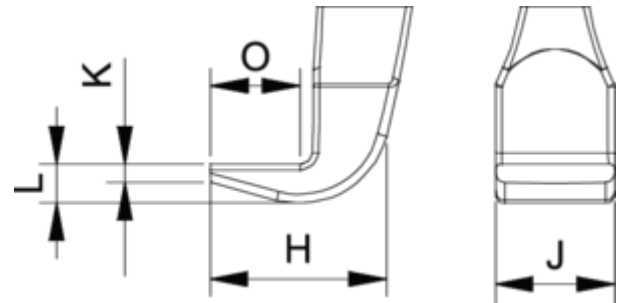
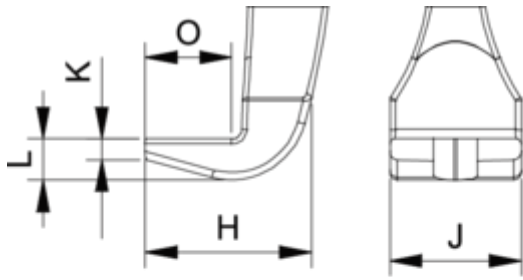
- 202-2-T\_Traverse
- 202-2-130-S\_3 Trigger hook (set)
- 621220\_Mechanical pressure spindle

# 3-armed lug puller with oscillating and reversible puller legs



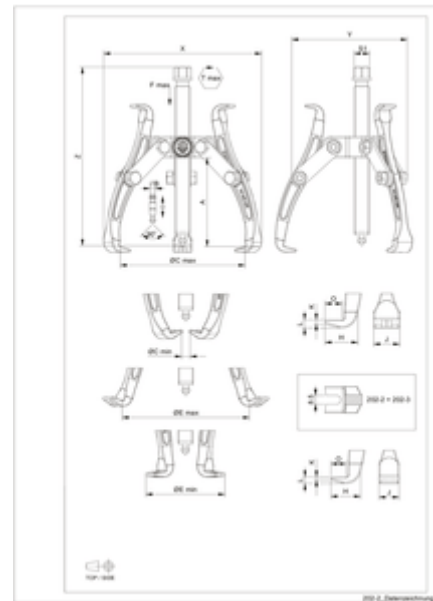
Abbreviation	Attribut	Wert
X	Total width [mm]	250 mm
Y	Total depth [mm]	250 mm
Z	Total height [mm]	245 mm
A	Clamping depth outside pull-off [mm]	130 mm
S1	Width across flats [mm]	22 mm
Cmin	Span outside pull-off (min.) [mm]	0 mm
Cmax	Span outside pull-off (max.) [mm]	220 mm
K	Hook root thickness at the tip (claw thickness K) [mm]	3 mm
J	Hook base width (claw width J) [mm]	26 mm
O	Hook base depth usable (claw depth usable O) [mm]	18 mm
H	Total hook root depth (total claw depth H) [mm]	33 mm
L	Total claw thickness (L+1mm) (claw distance to base) [mm]	7 mm
Emin	Span inside pull-out (min.) [mm]	80 mm
Emax	Span inside pull-out (max.) [mm]	
Tmax	Max. torque [Nm]	150 Nm
Fmax	Max. tractive force [t]	7 t
Fmax	Max. tensile force [kN]	70 kN
S1	Width across flats connecting nut [mm]	

Abbreviation	Attribut	Wert
X	Total width [mm]	250 mm
Y	Total depth [mm]	250 mm
Z	Total height [mm]	245 mm
A	Clamping depth outside pull-off [mm]	130 mm
S1	Width across flats [mm]	22 mm
Cmin	Span outside pull-off (min.) [mm]	0 mm
Cmax	Span outside pull-off (max.) [mm]	220 mm
K	Hook root thickness at the tip (claw thickness K) [mm]	3 mm
J	Hook base width (claw width J) [mm]	26 mm
O	Hook base depth usable (claw depth usable O) [mm]	18 mm
H	Total hook root depth (total claw depth H) [mm]	33 mm
L	Total claw thickness (L+1mm) (claw distance to base) [mm]	7 mm
Emin	Span inside pull-out (min.) [mm]	80 mm
Emax	Span inside pull-out (max.) [mm]	
Tmax	Max. torque [Nm]	150 Nm
Fmax	Max. tractive force [t]	7 t
Fmax	Max. tensile force [kN]	70 kN
S1	Width across flats connecting nut [mm]	



Abbreviation	Attribut	Wert
X	Total width [mm]	250 mm
Y	Total depth [mm]	250 mm
Z	Total height [mm]	245 mm
A	Clamping depth outside pull-off [mm]	130 mm
S1	Width across flats [mm]	22 mm
Cmin	Span outside pull-off (min.) [mm]	0 mm
Cmax	Span outside pull-off (max.) [mm]	220 mm
K	Hook root thickness at the tip (claw thickness K) [mm]	3 mm
J	Hook base width (claw width J) [mm]	26 mm
O	Hook base depth usable (claw depth usable O) [mm]	18 mm
H	Total hook root depth (total claw depth H) [mm]	33 mm
L	Total claw thickness (L+1mm) (claw distance to base) [mm]	7 mm
Emin	Span inside pull-out (min.) [mm]	80 mm
Emax	Span inside pull-out (max.) [mm]	
Tmax	Max. torque [Nm]	150 Nm
Fmax	Max. tractive force [t]	7 t
Fmax	Max. tensile force [kN]	70 kN
S1	Width across flats connecting nut [mm]	

Abbreviation	Attribut	Wert
X	Total width [mm]	250 mm
Y	Total depth [mm]	250 mm
Z	Total height [mm]	245 mm
A	Clamping depth outside pull-off [mm]	130 mm
S1	Width across flats [mm]	22 mm
Cmin	Span outside pull-off (min.) [mm]	0 mm
Cmax	Span outside pull-off (max.) [mm]	220 mm
K	Hook root thickness at the tip (claw thickness K) [mm]	3 mm
J	Hook base width (claw width J) [mm]	26 mm
O	Hook base depth usable (claw depth usable O) [mm]	18 mm
H	Total hook root depth (total claw depth H) [mm]	33 mm
L	Total claw thickness (L+1mm) (claw distance to base) [mm]	7 mm
Emin	Span inside pull-out (min.) [mm]	80 mm
Emax	Span inside pull-out (max.) [mm]	
Tmax	Max. torque [Nm]	150 Nm
Fmax	Max. tractive force [t]	7 t
Fmax	Max. tensile force [kN]	70 kN
S1	Width across flats connecting nut [mm]	



Abbreviation	Attribut	Wert
X	Total width [mm]	250 mm
Y	Total depth [mm]	250 mm
Z	Total height [mm]	245 mm
A	Clamping depth outside pull-off [mm]	130 mm
S1	Width across flats [mm]	22 mm
Cmin	Span outside pull-off (min.) [mm]	0 mm
Cmax	Span outside pull-off (max.) [mm]	220 mm
K	Hook root thickness at the tip (claw thickness K) [mm]	3 mm
J	Hook base width (claw width J) [mm]	26 mm
O	Hook base depth usable (claw depth usable O) [mm]	18 mm
H	Total hook root depth (total claw depth H) [mm]	33 mm
L	Total claw thickness (L+1mm) (claw distance to base) [mm]	7 mm
Emin	Span inside pull-out (min.) [mm]	80 mm
Emax	Span inside pull-out (max.) [mm]	
Tmax	Max. torque [Nm]	150 Nm

Fmax	Max. tractive force [t]	7 t
Fmax	Max. tensile force [kN]	70 kN
S1	Width across flats connecting nut [mm]	